



SINGER

Modern Quilter™

Expand Your Quilting Horizons with the SINGER 8500Q Modern Quilter quilting & sewing machine's Impressive Capabilities & Dynamic Features!

The product's Long Arm Design plus an extra-large Extension Table provide you with 25" of sewing space so you can manage quilts and large projects with ease. When you use the Drop Feed feature to thread paint, you can see your creations clearly with 6 StayBright LED lights. The Speed Control and Programmable Needle Up/Down features help you create advanced topstitching designs. The included Knee Lifter is a must-have for hands-free pivoting and fabric release. When you're done stitching, press the Electronic Thread Trimmer Button and your top and bobbin threads are cut automatically.



Impressive Capabilities. Dynamic Features.

- Extra-Large Circular Stitch Capability allows you to stitch precise circles 10" to 15" in diameter
- 215 Built-In Stitches including 17 Quilting Stitches, 6 Automatic 1-Step Buttonholes and 1 Endless Buttonhole
- 6 StayBright LED Lights that last up to 100,00 hours ensure that you have clear visibility
- Built-In Block Lettering makes it easy to make specialty quilt labels
- Automatic Thread Trimmer trims the top and bobbin threads at the touch of a button
- Drop Feed and Programmable Needle Up / Down help you create advanced topstitching
- 5 Bonus Quilting Extras Included!



Extra-Large Sewing Space
Long Arm Design plus an extra-large Extension Table provide you with 25" of sewing space



Knee Lifter Included
The knee lifter allows for hands-free raising and lowering of the presser foot and is vital when pivoting and quilting.



SINGER

Modern Quilter™

Expand Your Quilting Horizons

Electronic Auto Pilot

Unplug the foot control, press the Start button and the machine sews. You are still in complete control over the speed - just slide the Speed Control Lever to the desired maximum speed.

Speed Control Lever

Slide the lever on the front of the machine to set the sewing speed from slow to fast. When the foot pedal is used the lever functions as a top speed limiter.

13 Needle Positions

Needle position can be changed for individual projects like inserting binding, zippers or cording and topstitching.

7mm Stitch Width

Most stitches can be set for a maximum width of 7mm creating attractive satin and decorative stitches.



Programmable Needle Up / Down

The needle can be programmed to stop in the highest *up* position, making it easier to remove fabric from the machine. The needle can be programmed to stop in the *down* position which is ideal for pivoting.



Drop Feed

Use this feature to thread paint, create unique topstitching and more!



Extra-Large Circular Stitch
Stitch precise circles 10" to 15" in diameter. Use one of the 215 Built-In Stitches to appliqué circles or create your own fabric patterns with partial circles.

Extension Table Included

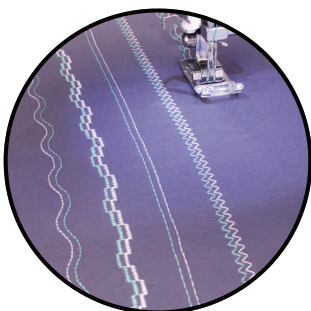
The extra-large extension table measures 22" in length by 14" in width. The convenient ruler allows you to make quick measurements up to 16".

Knee Lifter Included

The knee lifter allows for hands-free raising and lowering of the presser foot and is vital when pivoting and quilting.

6 StayBright LED Lights

With lights on each side of the needle area as well as one light over the large surface to the right of the needle, it is easier to see your work. The long-lasting bulbs (100,000 hours) stay cool regardless of how long the machine is being operated.



Automatic Twin Needle Mode

Select stitches automatically adjust for twin needle sewing with just the touch of a button.

Automatic Presser Foot Pressure Control

The amount of pressure exerted on the fabric by the presser foot against the feed dogs is adjusted automatically. Sew from the lightest weight tricots to the heaviest denim, without making presser foot pressure adjustments.



SINGER

Modern Quilter™

Automatic Settings Eliminate Guesswork

Automatic Electronic Thread Trimmer

Simply press the scissors button and the top and bobbin threads are trimmed.

Automatic Stitch Length & Width

Optimal settings for stitch length and width are automatically set, but can be overridden for more personalized sewing.

Extra-High Presser Foot Lifter

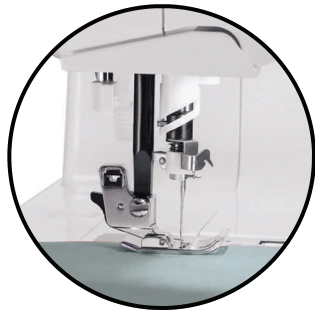
Offers more clearance when sewing bulky fabric.

Stitch Memory with Editing

Allows you to save and edit select stitch combinations to create personalized patterns and designs.

Locking Stitch Button

Auto-lock decorative and utility stitches with just a push of the Locking Stitch Button. Three tiny tacking stitches reinforce patterns and stitches to prevent unraveling.



Presser Foot Sensor

Ensures the presser foot is in the proper position for an easy start. The machine will not begin to sew if the presser foot is raised, reducing the chance of thread bunching.



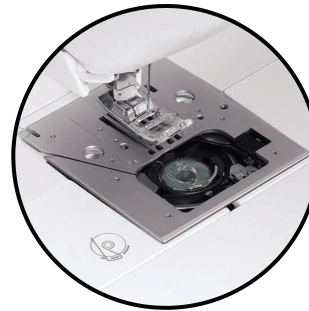
LCD Screen with Stitch Selection Dial

Provides clear and easy viewing of stitch settings including the number of the selected stitch, an image of the selected stitch, and stitch width and stitch length settings



SwiftSmart™ Threading System with Automatic Needle Threader

Simply guide the thread directly from the spool to the needle area through a single groove and thread the needle by pressing the threading lever for easy needle threading.



Drop & Sew™ Bobbin System

Automatic bobbin thread pick-up for quicker threading. The clear cover makes it easy to see the bobbin supply.

Independent Bobbin Winding System

Continue to sew while filling a bobbin! Simply follow the numbered diagram printed on the top of sewing machine and your bobbin is filled while you finish sewing!

Adjustable Thread Tension

Ensures stable stitch quality regardless of fabric type. Simply press the Tension Buttons located on the front of the machine for optimal results

7-Segment Feeding System with Box Feed

The 7-Segment Feeding System ensures that the fabric is picked up and supported from the front of the presser foot to the rear, providing accurate feeding of the fabric. The Box Feed function moves the feed dogs in a box motion, rather than the historic arc motion. Box motion assures perfect feeding throughout the entire feed process, as the feed dogs are always in perfect and equal contact with the fabric and presser foot.



SINGER

Modern Quilter™

Answers At Your Fingertips

Toll-Free Helpline 1-800-4-SINGER (1-800-474-6437)
Monday through Friday, 8:00 a.m. to 4:00 p.m. C.T.

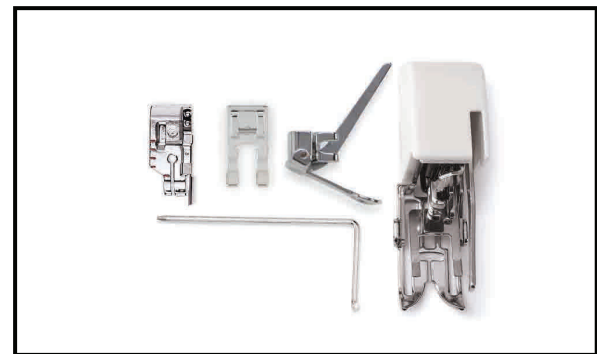
Online Support available any time at singerco.com
Social Media Support allows you to connect with other sewers for tips and tricks!

YouTube.com/SingerSewingCompany offers a variety of helpful videos tutorials including the following topics: Threading, Presser Feet Training, Maintenance and Troubleshooting.

Consumer's Choice - More people own SINGER machines than all other brands combined!

Put Your Mind at Ease

The SINGER 8500Q Modern Quilter quilting & sewing machine comes with a limited 25-Year Warranty, including 5 years on electronic components and 1 year on adjustments.

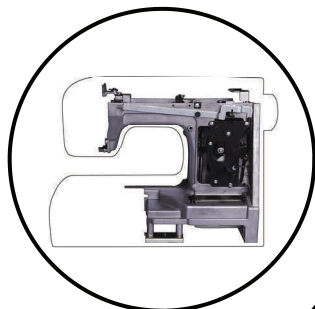


Women's Choice

SINGER has won the 2013 & 2014 Women's Choice Award for America's Best Home Sewing Machine!

Heavy Duty Metal Frame

The internal skeleton of the sewing machine consists of a Heavy Duty Metal Frame that holds all the mechanisms in perfect alignment for skip-free sewing and overall durability. You can be sure that your sewing machine will last for years of extended use.



4

Included Accessories

All-Purpose Foot, Zipper Foot, Buttonhole Foot with Underplate, Blind Hem Foot, Satin Stitch Foot, Button Sewing Foot, Pack of Needles, Bobbins (Class 15J), Thread Spool Caps, Thread Spool Nets, Auxiliary Spool Pin, Spool Pin Felt, Screwdrivers, Seam Ripper / Lint Brush, Extension Table 22.4" length x 14.4" width, Knee Lifter, Instruction Manual with included Stitch Guide, Quick Start Guide, Power Cord, Foot Controller

Bonus Quilting Accessories

Darning & Freehand Embroidery Foot, Even Feed/Walking Foot, Quarter Inch Foot, Open Toe Foot, Edge/Quilting Guide

Dual Accessory Storage Trays

The accessories can be conveniently stored in the front and back Accessory Storage Trays for easy access.



SINGER

Modern Quilter™



6 Fully Automatic Built-In Buttonhole Styles

Buttonhole sewing is a fully automatic one-step simple process providing reliable results every time. The Underplate sandwiches fabric between a lower plate and the foot to ensure perfect buttonholes on layers of fabric.



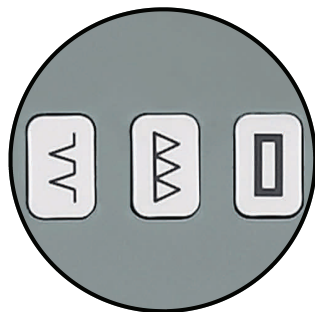
17 Quilting Stitches Included

Perfect for all types of quilting! Modern Quilts, Crazy Quilts, Traditional Quilts & more. Quilting Stitches include Hand-Look Quilt Stitch, Feather Stitch, Blanket Stitches, Thorn Stitch, Pin Stitches and more!



Block Multi-Lingual Alphabet

Add a name, phrase or phrase to sewing projects. Alphabet and Numbers sew at a pre-set width of 5 mm. Choose from English, French, German, Italian, Dutch, Spanish, Turkish, Norwegian & Russian!



Push-Button Stitch Selection

Five of the most popular stitches are accessible with one touch. The rest of the stitches are just a few clicks away.



Stitches

215 Built-In Stitches

Create decorative embellishments using the built-in stitches

9 Essential Stitches

6 Stretch Stitches

17 Quilting Stitches

176 Decorative Stitches

6 Fully Automatic 1-Step Buttonholes

1 Endless Buttonhole lets you have complete customization; there are no size limitations—ideal when sewing non-traditional sized buttonholes.